

## 1x12 Fiber Optical Splitter with Mux Module

### Product Description

This device multiplexes multiple optical carrier signals on a single optical fiber by combining splitter and WDM to carry different signals. This allows a multiplication in capacity and performs bi-directional communications over one strand of fiber. It's widely installed in CATV network and FTTx applications.



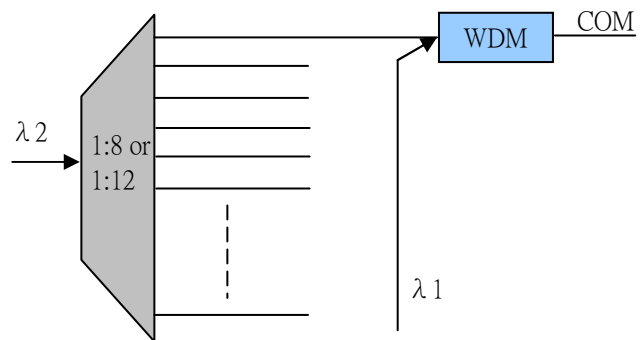
### Product Features

- Low Insertion Loss
- High Reliability (meet GR-1209,GR-1221)
- Compact Package
- Designed to meet Telcordia requirements
- RoHS Compliant

### Applications

- PON Network
- CATV Network
- Power Distribution
- FTTx
- Test Equipment
- Telecommunication

### Function Chart

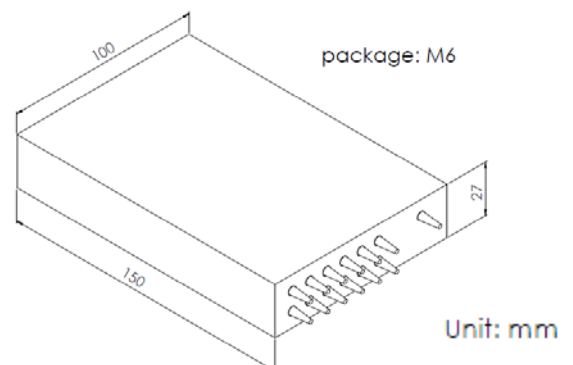


### Product Specifications

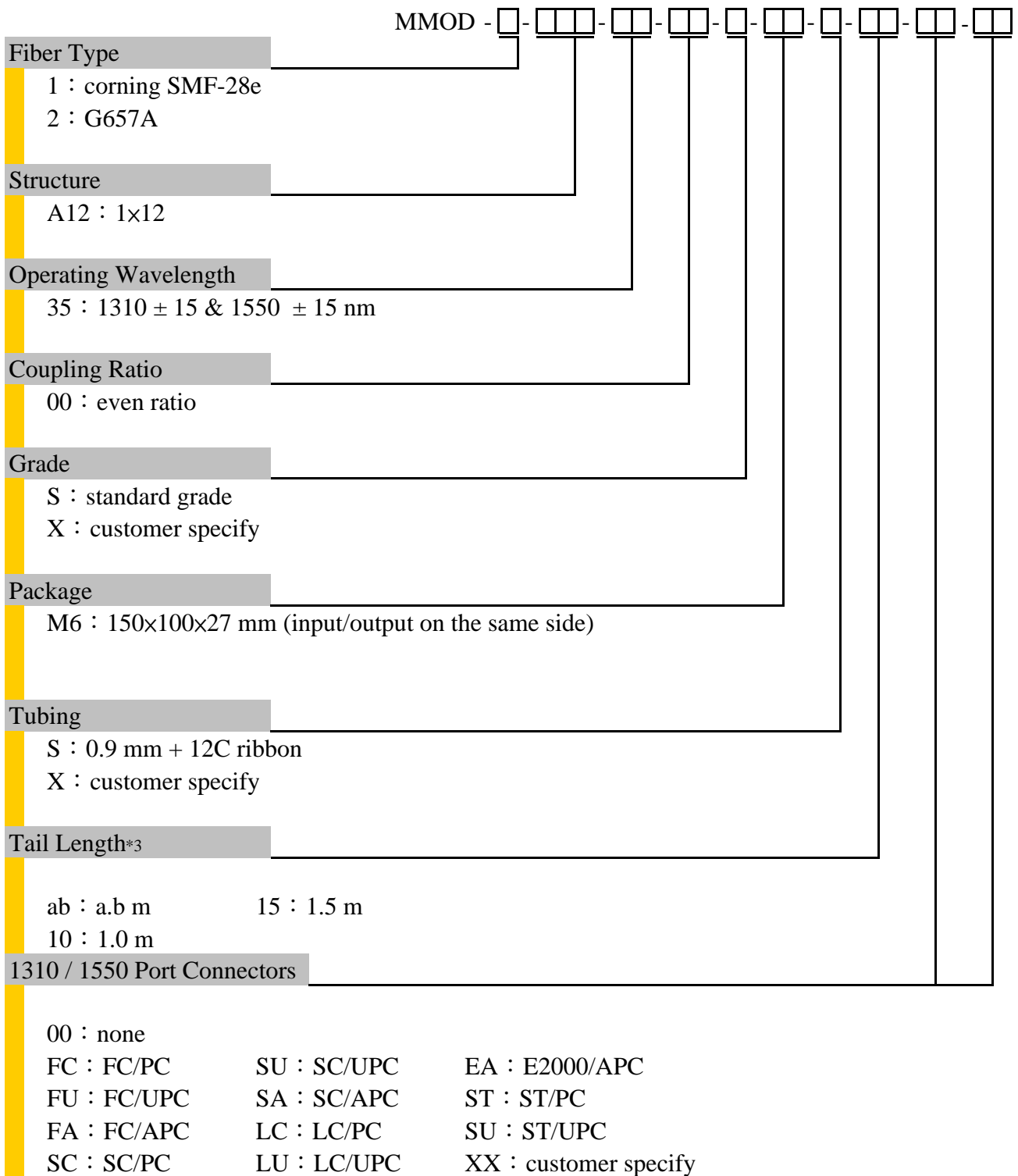
Parameters	Unit	Specifications
Operating Wavelength	nm	1310±15 and 1550±15
Insertion Loss (Max.) *1	dB	14.4
Minimum Isolation	dB	17
Operating Temperature	°C	-40~85
Storage Temperature	°C	-40~85
Connector	-	LC/APC + MPO/APC Female
Dimension	mm	150×100×27

\*1 performance excludes connector loss

### Dimension Diagram



## Ordering Information



\*3 Tail length tolerance: 0~+10 cm